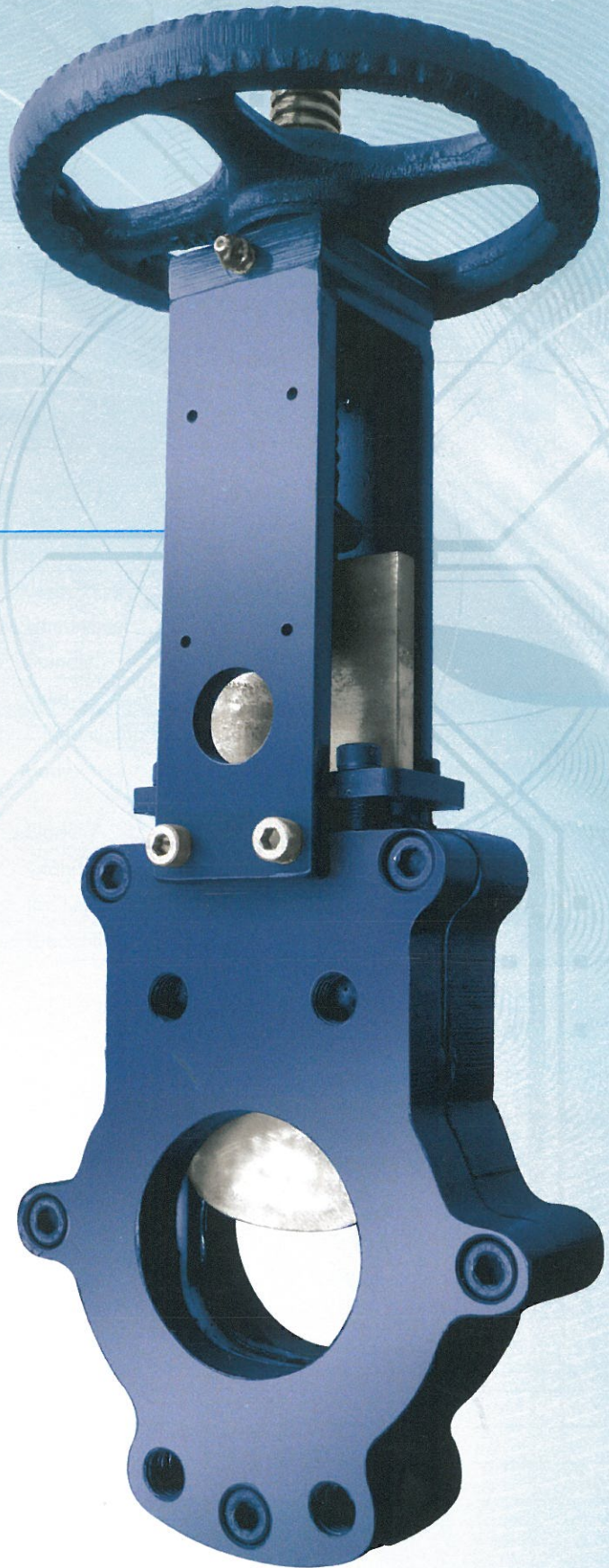


# KNIFE GATE VALVES

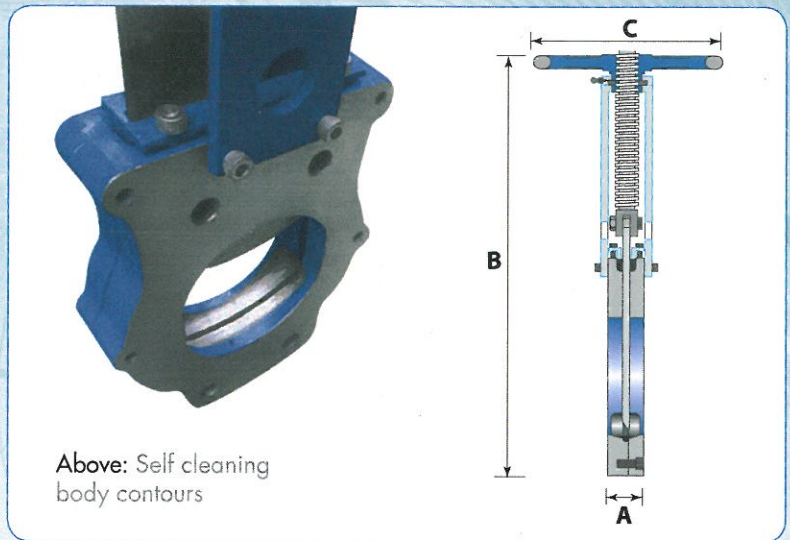
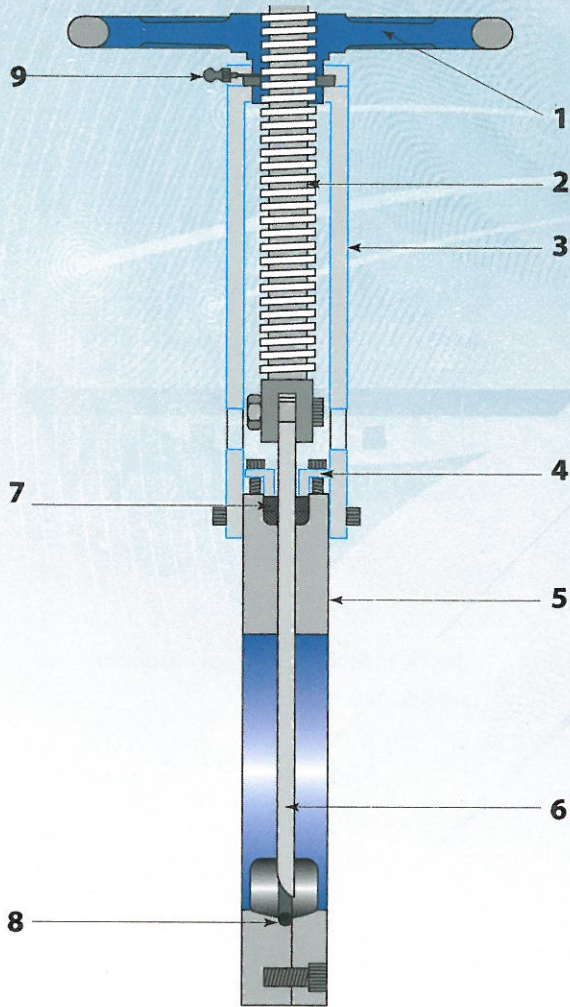
## FEATURES:-

- Available in:** Carbon Steel  
Stainless Steel  
ROQ-tuf®
- Coatings available:** Haylar  
Natural Rubber  
EPDM  
EPT  
Others on request
- Seats flushed - no bottom cleaning door required due to body contours.
- Simple gland arrangement allows field service adjustment.
- Wafer pattern means lighter weight construction in comparison with conventional gate valve leading to easier installation and lower costs.
- Resilient seal seat allows high operating cycles and leak tight performance.
- Carbon steel valve, which is standard construction, results in more robust and mechanically stronger valve.
- Stainless steel spindles and blade standard.
- Simple robust yoke allows for easy fitting of pneumatic, hydraulic and electric actuators.
- Standard actuators available with positioners and position indicators.
- Rubber lining allows valves to be used on slurry applications.
- ROQ-tuf® body for high abrasion resistance.



VMC VALVES (PTY) LTD

54, Tennyson Drive, Tulisa Park, Johannesburg, 2197  
P.O. Box 83012, South Hills, 2136  
Tel: (011) 613 4429 Fax: (011) 613 7585  
Registration no: 91/03736/01



### Materials of Construction

1	Handwheel	SG 42 iron
2	Spindle	Stainless Steel
3	Yoke	Carbon Steel (Epoxy Coated)
4	Gland clamp	Steel (Epoxy Coated)
5	Body	Carbon Steel and Stainless Steel are standard, others on request
6	Blade	Stainless Steel standard, others on request
7	Gland packing	Braided graphite
8	Resilient seal	P5 rubber
9	Lubrication nipple	

### Specifications

A = UNLINED

A1 = RUBBER LINED

Size (mm)	A (face)	A1 (face)	Mass	B	C	PN (Bar)
80	50	58	14	430	200	12
100	50	58	16	460	200	12
150	60	68	30	560	310	12
200	60	68	46	740	310	12
250	70	78	69	900	310	10
300	70	78	90	1050	400	10
350	80	88	130	1170	400	8
400	90	98	160	1390	400	8
450	100	108	240	1460	500	7
500	110	118	290	1630	500	7

Other F/F dimensions available on request



**VMC VALVES (PTY) LTD**

54, Tennyson Drive, Tulisa Park, Johannesburg, 2197  
 P.O. Box 83012, South Hills, 2136  
 Tel: (011) 613 4429 Fax: (011) 613 7585  
 Registration no: 91/03736/01

